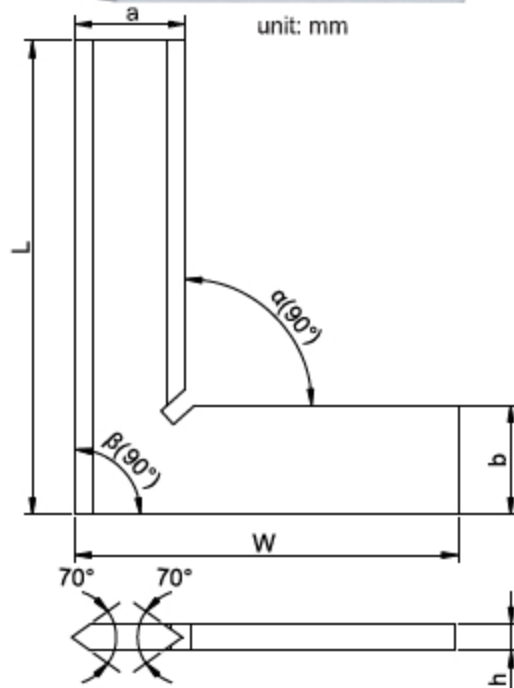
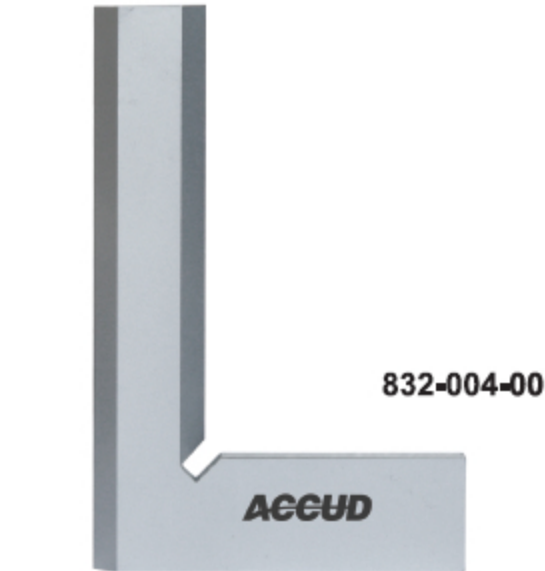


# 90° BEVELED EDGE SQUARE

# SERIES 832



- ◆ Two beveled measuring faces
- ◆ Made of hardened stainless steel
- ◆ Satin chrome plating

## Grade 0

Code	Size(LxW)	Squareness( $\alpha$ )	Squareness( $\beta$ )	a	b	h
832-002-10	50x40mm	6 $\mu$ m	6 $\mu$ m	13	13	4
832-003-10	75x50mm	6 $\mu$ m	7 $\mu$ m	15	15	4
832-004-10	100x70mm	7 $\mu$ m	7 $\mu$ m	20	20	5
832-006-10	150x100mm	7 $\mu$ m	8 $\mu$ m	30	30	6
832-008-10	200x130mm	8 $\mu$ m	9 $\mu$ m	34	34	7
832-010-10	250x165mm	9 $\mu$ m	10 $\mu$ m	35	35	7
832-012-10	300x200mm	10 $\mu$ m	11 $\mu$ m	40	40	8

## Grade 00

Code	Size(LxW)	Squareness( $\alpha$ )	Squareness( $\beta$ )	a	b	h
832-002-00	50x40mm	2.4 $\mu$ m	2.5 $\mu$ m	13	13	4
832-003-00	75x50mm	2.6 $\mu$ m	2.8 $\mu$ m	15	15	4
832-004-00	100x70mm	2.8 $\mu$ m	3.0 $\mu$ m	20	20	5
832-006-00	150x100mm	3.2 $\mu$ m	3.5 $\mu$ m	30	30	6
832-008-00	200x130mm	3.7 $\mu$ m	4.0 $\mu$ m	34	34	7
832-010-00	250x165mm	4.2 $\mu$ m	4.5 $\mu$ m	35	35	7
832-012-00	300x200mm	4.6 $\mu$ m	5.0 $\mu$ m	40	40	8