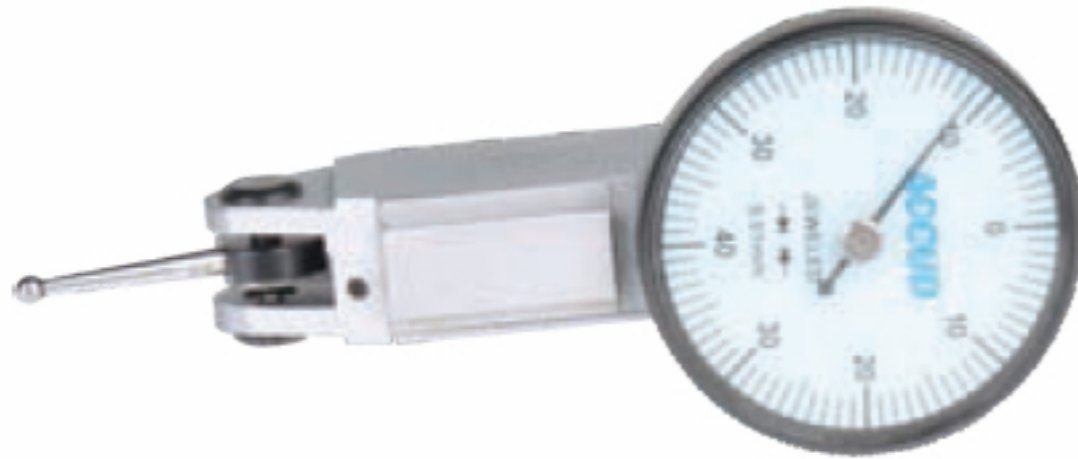


DIAL TEST INDICATOR

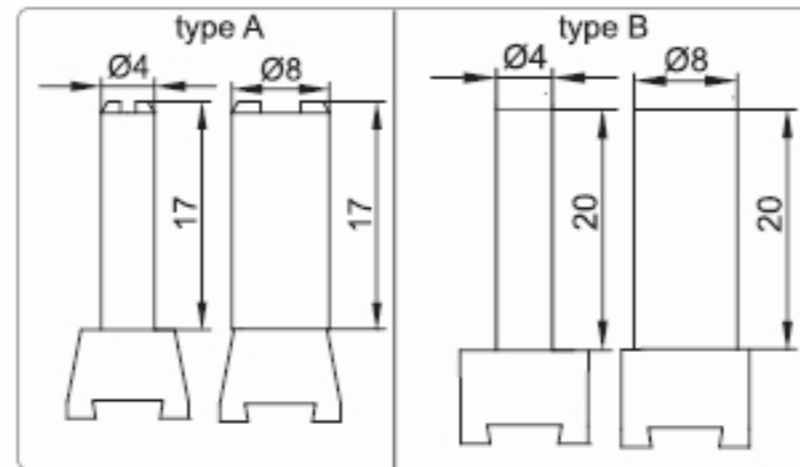
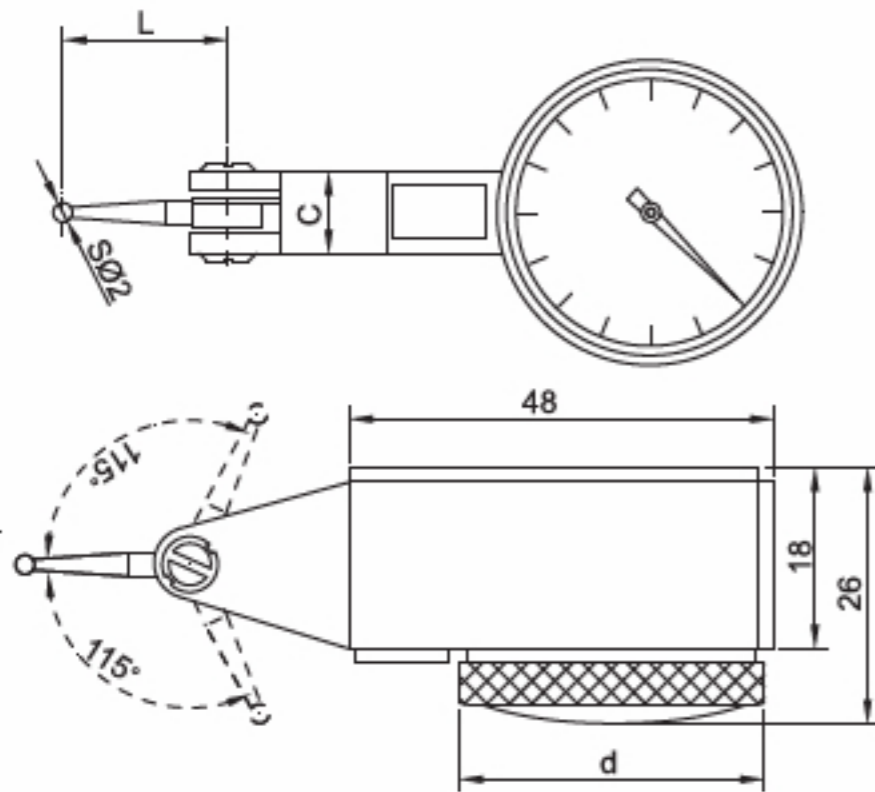
SERIES 261



261-008-12

unit: mm

Clamp



- ◆ Jeweled bearing
- ◆ Double scale spacing
- ◆ Anti-magnetic copper body
- ◆ With two clamps: Ø4mm and Ø8mm

Code	Range	Bezel(d)	Graduation	Styli	Clamp	Accuracy	Hysteresis	Scale	C	L
261-008-11	0.8mm	Ø30mm	0.01mm	carbide	type A	13µm	3µm	0-40-0	8.9	16.5
261-008-12	0.8mm	Ø37.5mm	0.01mm	carbide	type A	13µm	3µm	0-40-0	8.9	16.5
261-002-01	0.2mm	Ø30mm	0.002mm	ruby	type B	6µm	2µm	0-100-0	8	17
261-002-02	0.2mm	Ø37.5mm	0.002mm	ruby	type B	6µm	2µm	0-100-0	8	17