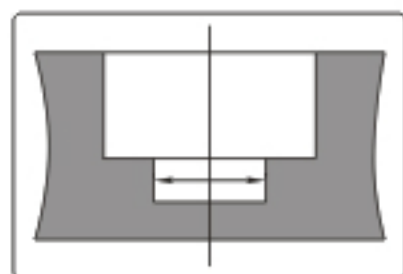
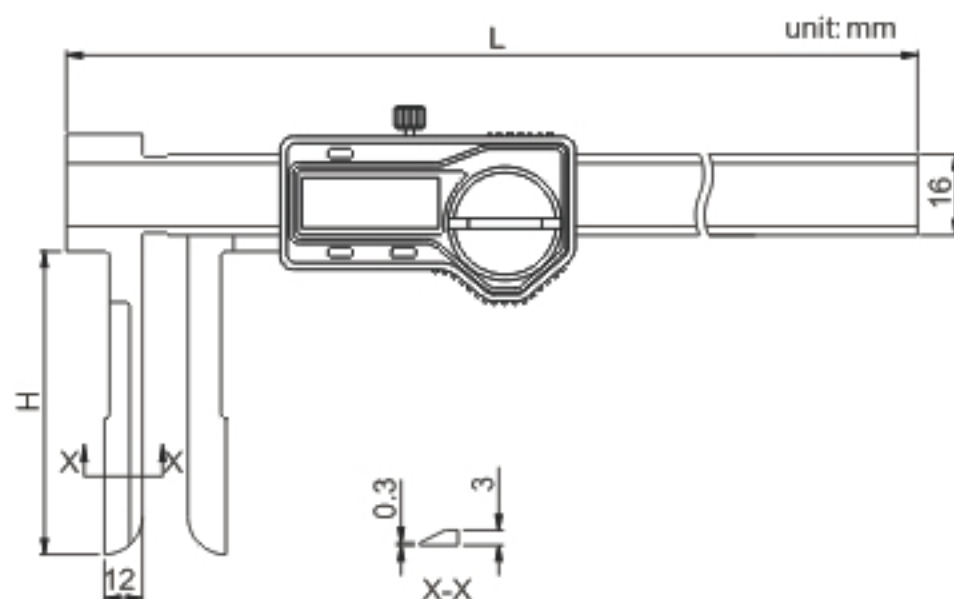


DIGITAL INSIDE KNIFE-EDGE CALIPER

SERIES 139



139-006-11



- ◆ Measure the diameter of deep holes or grooves
- ◆ Resolution: 0.01mm/0.0005"
- ◆ Automatic power on/off
- ◆ Buttons: on/off, zero, mm/inch
- ◆ Data output
- ◆ Made of stainless steel

Code	Range	Accuracy	L	H
139-006-11	15-150mm	±0.05mm	250	60
139-008-11	20-200mm	±0.05mm	310	90